



DIFFERENTIAL PRESSURE GAUGE

These instruments are suitable for indicating the differential pressure of fluids, both liquid and gaseous, even in the presence of high static pressures.

Their standard application is the one involved with filtration systems where these pressure gauges can indicate pressure drops or differences in flow rate and level.

On request, they can be supplied with process fluid separators if the fluid itself is corrosive, crystallizable or highly viscous.

MAIN FEATURES

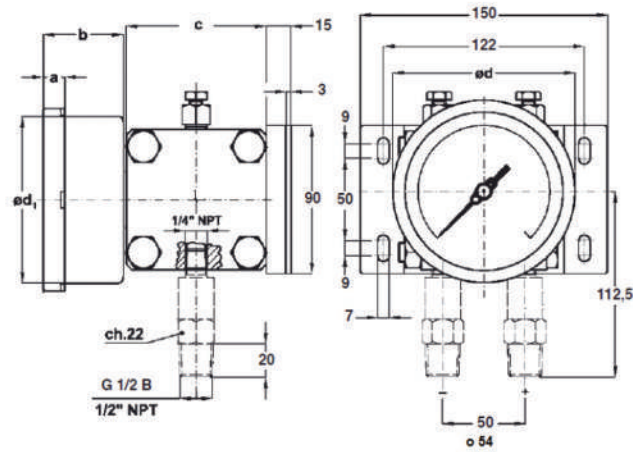
- Nominal diameters: 100 and 150 (mm)
- Accuracy class: 1,6% according to EN837
- Operating temperature: Ambient -40°C / +65°C
Process fluid +150°C
- Thermal drift: +/-0,8% of the VFS for every variation of 10°C from the reference temperature (20°C)
- Sensitive element: 2 membranes AISI 316L
[Optional: Hastelloy C276, Monel400]
- Transmission shaft: Stainless steel · Connections to the process: AISI316L 1/4" Npt-F or 1/2" Gas-Npt
[Optional: Hastelloy C276, Monel400, flanged connections]
- Protection degree: IP65
- Cell filling liquid: silicone fluid
[Optional: fluid compatible with the food industry]
- Cell sealing elements: Viton and PTFE
- Safekeeping: case and ring AISI 304, bayonet system
[Optional: AISI316]
- Movement: AISI 304 made in Germany
- Transparent: glass, shell in Makrolon if there are any contacts
[Optional: laminated safety glass]
- Gasket to the transparent: in EPDM
- Index: black aluminum with micrometric setting
- Quadrant: white, in aluminum with black letterings
[Optional: non-standard scale fields and logos insertion]
- Mounting: direct or with posterior bracket
[Optional: stainless steel bracket for mounting on 2" pipe]

DIFFERENTIAL PRESSURE	UNILATERAL STATIC	BILATERAL STATIC	SCALE WIDTH DN 100	SCALE WIDTH DN 150
0/100 mbar	100 bar	100 bar	180°	180°
0/160 mbar	100 bar	100 bar	180°	180°
0/250 mbar	200 bar	200 bar	270°	180°
0/400 mbar	200 bar	200 bar	270°	180°
0/600 mbar	200 bar	200 bar	270°	270°
0/1 bar	200 bar	200 bar	270°	270°
0/1,6 bar	200 bar	200 bar	270°	270°
0/2,5 bar	200 bar	200 bar	270°	270°
0/4 bar	200 bar	200 bar	270°	270°
0/6 bar	200 bar	200 bar	270°	270°
0/10 bar	200 bar	200 bar	270°	270°
0/16 bar	200 bar	200 bar	270°	270°
0/25 bar	200 bar	200 bar	270°	270°

OPTIONAL

INITIAL	OPTIONAL	NOTES
X	Certificate ATEX	-
T	Calibration certificate	-
O	Degreasing use oxygen	-
G	Case filled in with glycerine	Ambient temp. +15°C/+65°C, process fluid max 65°C
S	Case filled in with silicone oil	Ambient temp. -40°C/+65°C, process fluid max 120°C
L	Case filled in with fluorinated fluid	Ambient temp. -40°C/+65°C, process fluid max 65°C
I	Mounting electrical contact	Available PTB 99 ATEX 2219 X
P	Bracket for mounting on the 2" pipe	-
Q	Front fixing flange	-
A	Case and ring AISI 316L	-
M	Wetted parts in Monel 400	-
H	Wetted parts in Hastelloy C276	-
N	Tantalum membrane	-
E	Laminated glass	Safety glass
F	N.2 fluid separators	According to standard tables or to drawings
B	By-pass and taps	Available ATEX certified
D	Non-standard connections to the process	.

RADIAL WITH POSTERIOR FIXING BY MEANS OF A BRACKET



DN	A	B	C	D	D1
100	14,5	50	100	113	99
150	15,5	54	100	163	148

RADIAL WITH FRONT FLANGE FOR PANEL MOUNTING (DN 150 only)

