



Description & Features:

- Heavy duty, highly accurate, aluminum case
- Brass and stainless steel wetted parts available
- Two separate bourdon tubes and pointers
- One red and one black pointer
- ASME B40.100 compliant
- CRN registered
- 5 year warranty

Applications:

- Comparing two separate process pressures on the same gauge
- Utilized on pump and filter installations

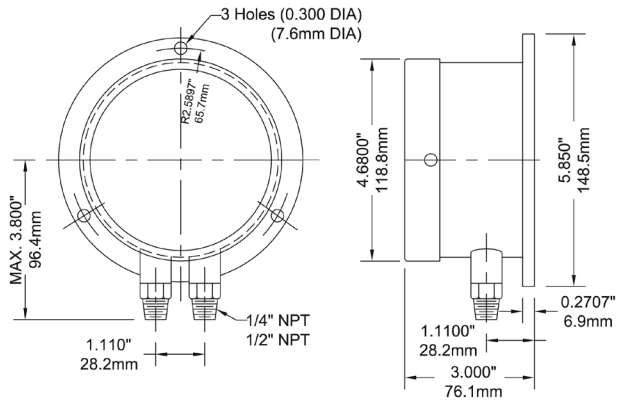
Specifications	Stainless Steel	Brass
Dial	4.5" (115mm), 6" (150mm) white aluminum with black markings	4.5" (115mm), 6" (150mm) white aluminum with black markings
Case	Aluminum, painted black	Aluminum, painted black
Front Flange	SS	SS
Back Flange	Black steel	Black steel
Lens	Glass	Glass
Ring	4.5" (115mm): SS 6" (150mm): Aluminum	4.5" (115mm): SS 6" (150mm): Aluminum
Socket	316 SS	Brass
Connections	1/4" NPT standard	1/4" NPT standard
Scale	PSI only	PSI only
Bourdon Tubes	AISI 316 SS, independent, matched	Phosphor bronze, independent, matched
Movement	Brass	Brass
Pointer	Aluminum, micrometer	Aluminum, micrometer
Welding	TIG argonarc	Tin/copper alloy
Over-pressure Limit	30% of full scale value	30% of full scale value
Working Pressure	Maximum 75% of full scale value	Maximum 75% of full scale value
Ambient/Process Temperature	-40°F to 150°F (-40°C to 65°C)	-40°F to 150°F (-40°C to 65°C)
Accuracy	±1% ANSI/ASME Grade 1A	±1% ANSI/ASME Grade 1A
Warning (brass internals only)	N/A	⚠ WARNING: This product can expose you to chemicals including lead, which is known to the State of California to cause cancer and birth defects or other reproductive harm. For more information go to www.P65Warnings.ca.gov .

Order Codes

Dial Size	4.5" (115mm)				6" (150mm)			
Connection	1/4" Bottom	1/4" Back (LB)	1/4" Bottom	1/4" Back (LB)	1/4" Bottom	1/4" Back (LB)	1/4" Bottom	1/4" Back (LB)
Socket, Tube	Brass		SS		Brass		SS	
0/15 psi	PDX8011	PDX8011B	PDX8021	PDX8021B	PDX8091	PDX8091B	PDX8101	PDX8101B
0/30 psi	PDX8012	PDX8012B	PDX8022	PDX8022B	PDX8092	PDX8092B	PDX8102	PDX8102B
0/60 psi	PDX8013	PDX8013B	PDX8023	PDX8023B	PDX8093	PDX8093B	PDX8103	PDX8103B
0/100 psi	PDX8014	PDX8014B	PDX8024	PDX8024B	PDX8094	PDX8094B	PDX8104	PDX8104B
0/160 psi	PDX8015	PDX8015B	PDX8025	PDX8025B	PDX8095	PDX8095B	PDX8105	PDX8105B
0/200 psi	PDX8016	PDX8016B	PDX8026	PDX8026B	PDX8096	PDX8096B	PDX8106	PDX8106B
0/300 psi	PDX8017	PDX8017B	PDX8027	PDX8027B	PDX8097	PDX8097B	PDX8107	PDX8107B
0/600 psi	PDX8018	PDX8018B	PDX8028	PDX8028B	PDX8098	PDX8098B	PDX8109	PDX8109B

Other ranges and connection sizes available upon request. For scale change, refer to How to Order Guide for scale codes.

4.5" Bottom Connection



4.5" Back Connection

